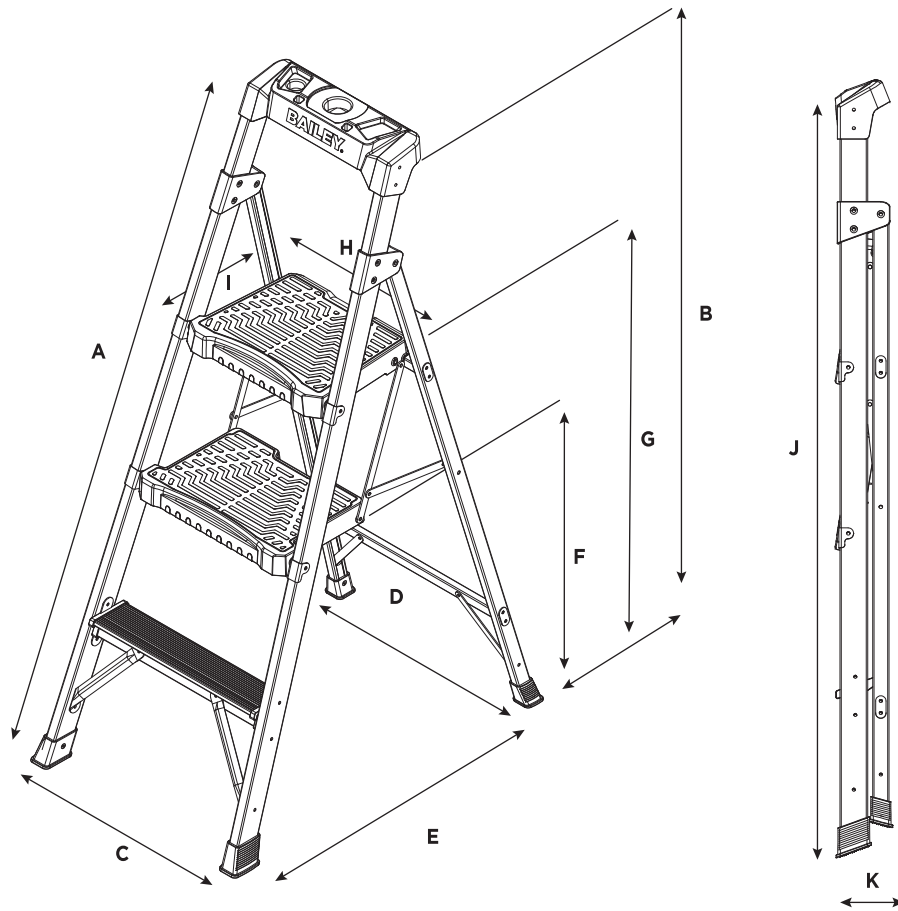


# ALUMINIUM INDUSTRIAL TWIN PLATFORM STEP STOOLS / 135KG



PRODUCT CODE	PRODUCT DESCRIPTION	PRODUCT EAN	A(mm)	B(mm)	C(mm)	D(mm)	E(mm)	F(mm)	G(mm)	H(mm)	I (mm)	J (mm)	K (mm)
FS14040	IND TWIN AL PLATFORM 3 STEP	9312097066328	1398	1315	525	525	789	571	857	295	270	1424	105
FS14041	IND TWIN AL PLATFORM 4 STEP	9312097066335	1702	1601	555	555	971	857	1142	295	270	1728	105
PRODUCT CODE	PRODUCT DESCRIPTION	PRODUCT EAN	WT(kg)	PACKED VOL. (m <sup>3</sup> )									
FS14040	IND TWIN AL PLATFORM 3 STEP	9312097066328	5.4	0.078									
FS14041	IND TWIN AL PLATFORM 4 STEP	9312097066335	6.5	1.010									